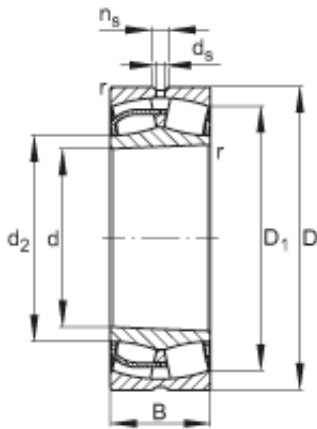




LWB BEARING PRODUCTION CO., LTD.



240 mm x 400 mm x 128 mm FAG 23148-E1-K spherical roller bearings

Bearing No. 23148-E1-K

23148-E1-K Bearing 2D drawings and 3D CAD models

Size	240x400x128 mm
Bore Diameter	240 mm
Outer Diameter	400 mm
Width	128 mm
d	240 mm
D	400 mm
B	128 mm
D ₁	349,9 mm
D _{a max}	383 mm
d ₂	275,9 mm
d _{a min}	257 mm
d _s	9,5 mm
n _s	17,7 mm
r _{a max}	3 mm
r _{min}	4 mm
m	62 kg / Weight
C _r	2130000 N / Dynamic load rating (radial)
e	0,31
Y ₁	2,18
Y ₂	3,24
C _{0r}	3150000 N / Static load rating (radial)
Y ₀	2,13



LWB BEARING PRODUCTION CO., LTD.

n_G	1700 1/min / Limiting speed
n_B	980 1/min
C_{ur}	248000 N / Fatigue limit load, radial