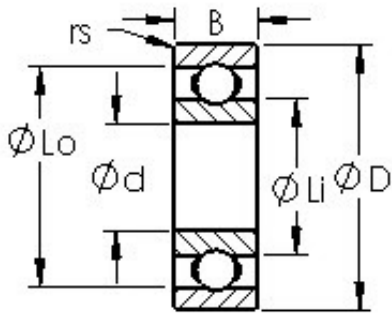




LWB BEARING PRODUCTION CO., LTD.



AST 6320 deep groove ball bearings

Bearing No. 6320

Size	100x215x47 mm
Bore Diameter	100 mm
Outer Diameter	215 mm
Width	47 mm
Bearing Type	Open
Bore Dia (d)	100.0000
Outer Dia (D)	215.0000
Width (B)	47.0000
Radius (min) (rs)	3.000
Dynamic Load Rating (Cr)	173,000
Static Load Rating (Cor)	141,000
Max Speed (Grease) (X1000 RPM)	3
Max Speed (Oil) (X1000 RPM)	3
Max. Shaft Shoulder Dia. Inner (Li)	133.0
Min. Housing Shoulder Dia., Outer (Lo)	202.0
Weight (g)	7,040.00
Precision	A1
Standard Clearance	C0
Material	52100 Chrome steel (or equivalent)

6320 Bearing 2D drawings and 3D CAD models